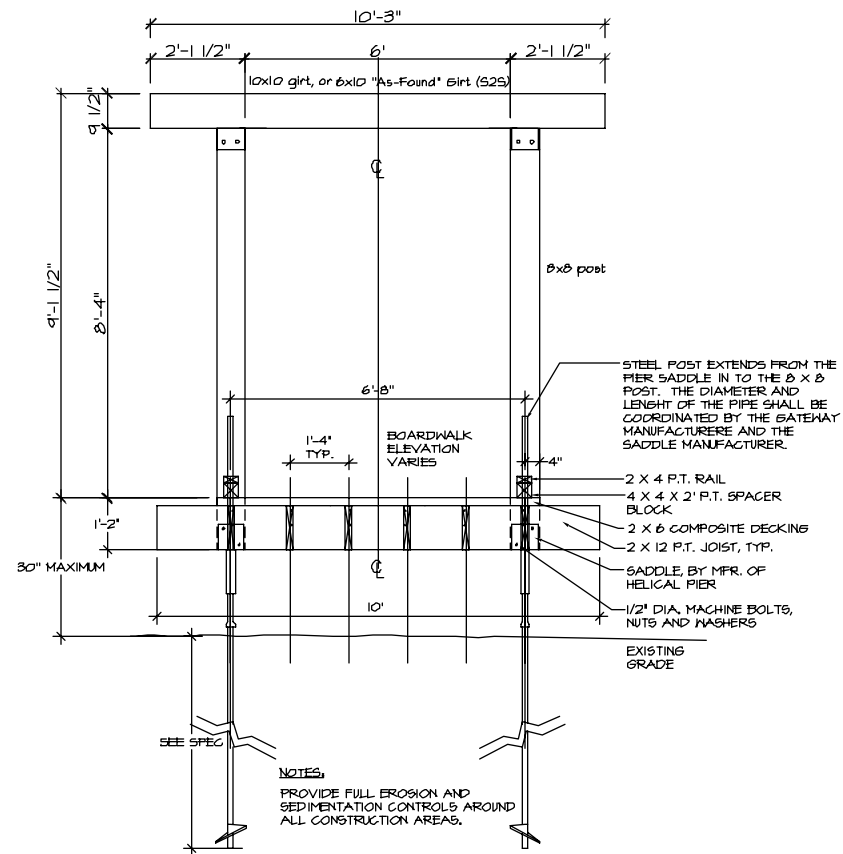
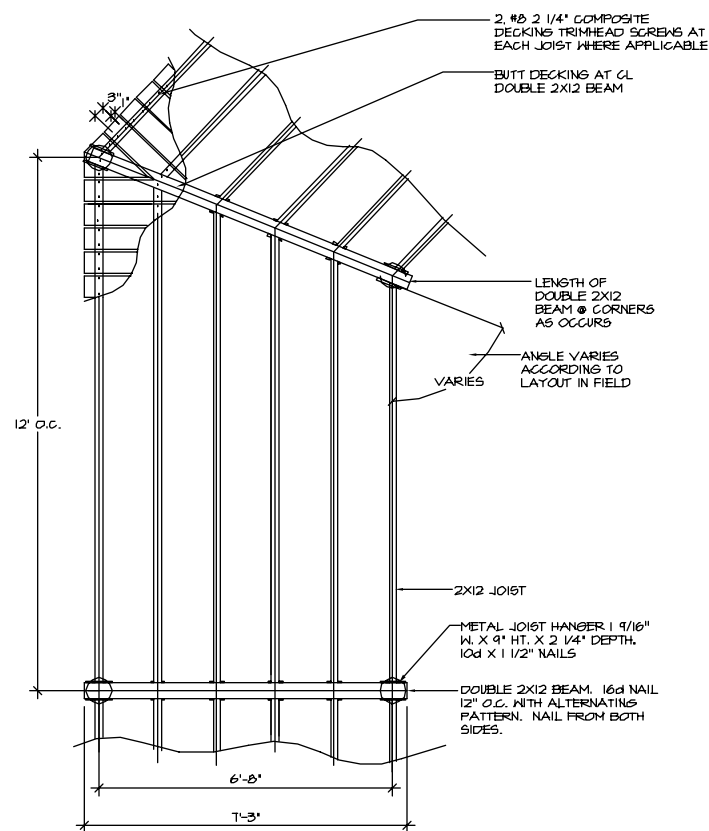


1 BOARDWALK ELEVATION
2 Scale: 1/2" = 1'-0"



1 BOARDWALK ELEVATION W/GATEWAY
2 Scale: 1/2" = 1'-0"



1 BOARDWALK FRAMING PLAN
2 Scale: 1/2" = 1'-0"



This plan was prepared for the New York State Department of State with funds provided under Title 11 of the Environmental Protection Fund.



NORTH

EDR Environmental Design & Research, Inc. is a professional engineering firm licensed in the State of New York. The firm is a member of the New York State Society of Professional Engineers and the New York State Society of Professional Environmental Engineers. The firm is also a member of the American Society of Professional Engineers and the American Society of Professional Environmental Engineers. The firm is a member of the New York State Society of Professional Engineers and the New York State Society of Professional Environmental Engineers. The firm is also a member of the American Society of Professional Engineers and the American Society of Professional Environmental Engineers.

| NO. | DATE | REVISION |
|-----|------|----------|
| 1 | | |
| 2 | | |
| 3 | | |
| 4 | | |
| 5 | | |
| 6 | | |
| 7 | | |
| 8 | | |
| 9 | | |
| 10 | | |

PROJECT TITLE: SCENIC WOODS
PROJECT LOCATION: RANSOM ROAD, TOWN OF GRAND ISLAND, ERIE COUNTY, NEW YORK
OWNER: TOWN OF GRAND ISLAND
CONTRACT NUMBER: 07038

EDR Environmental Design & Research, Inc.
Environmental Design & Research, Inc.
Environmental Services, Engineering and
374 North Goodman Street
Rochester, NY 14607
Tel: (585) 271-0042
Fax: (585) 271-0042
Syracuse Rochester Buffalo

PROJECT TITLE: SCENIC WOODS
PROJECT LOCATION: RANSOM ROAD, TOWN OF GRAND ISLAND, ERIE COUNTY, NEW YORK
OWNER: TOWN OF GRAND ISLAND
CONTRACT NUMBER: 07038
DATE: OCTOBER 31, 2007
SCALE: AS NOTED
EDR JOB # 07038
FILE NAME: DETAILS.DWG
DRAFTER: JIM
DRAWING NUMBER: D - 1