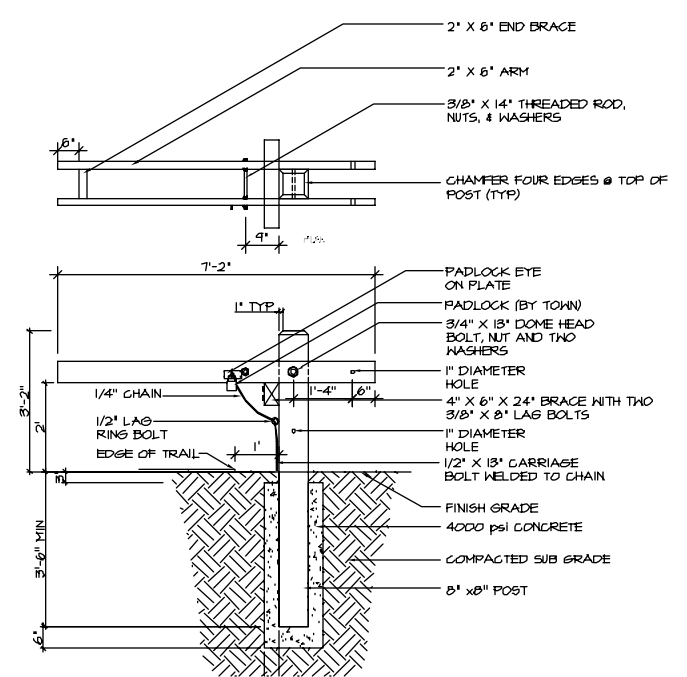
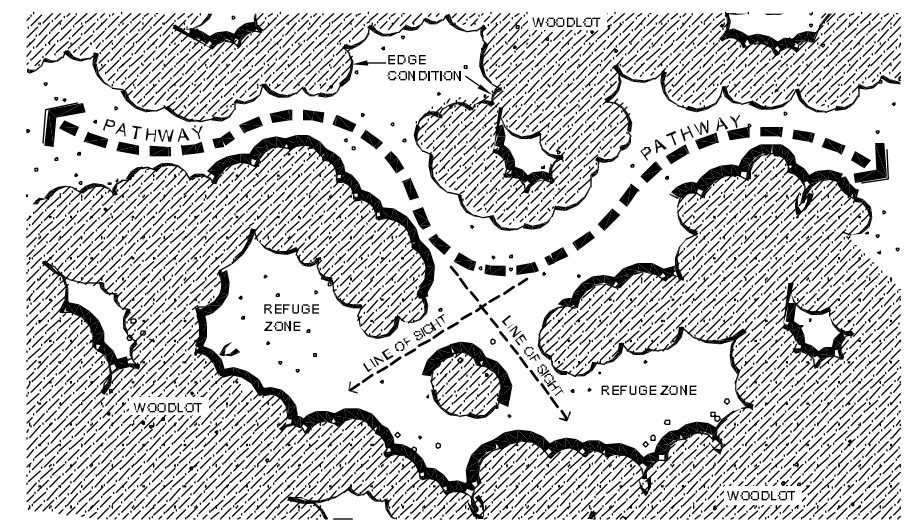


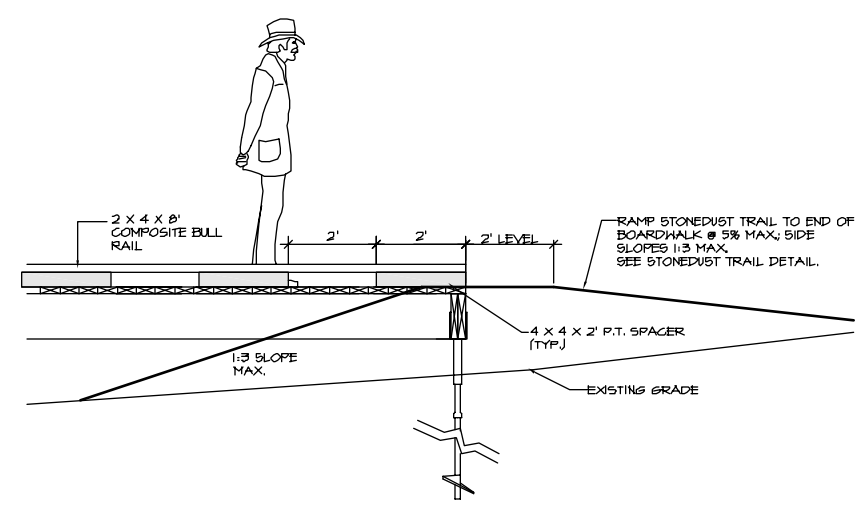
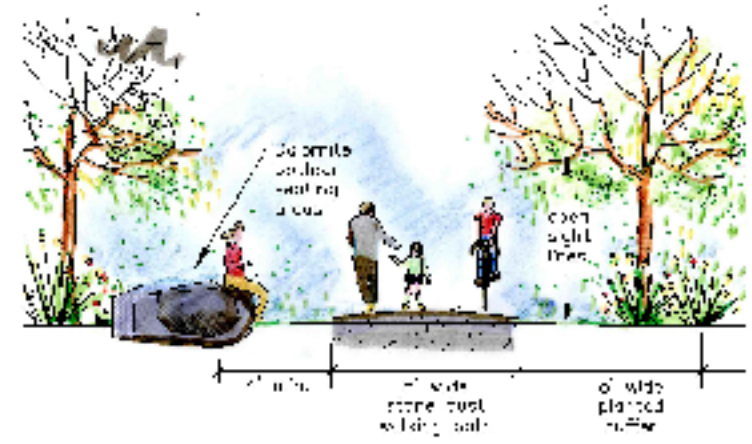
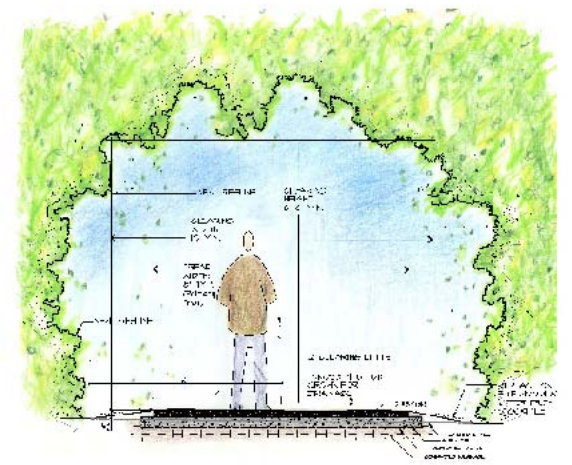
1 8' WIDE STONE DUST TRAIL
 2 Scale: 1/2" = 1'-0"
 PRIMARY TRAIL



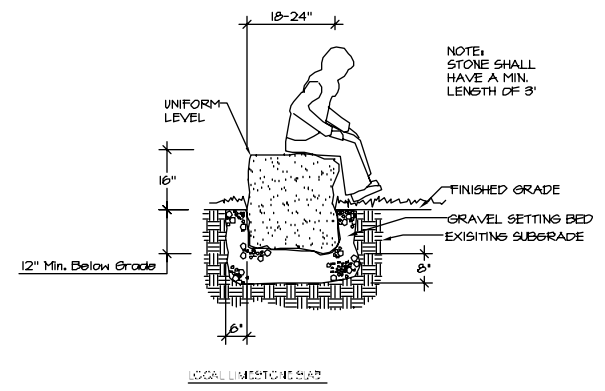
1 BOLLARD GATE
 2 Scale: 1/2" = 1'-0"
 ACCESS CONTROL



1 TRAIL ALIGNMENT / PROSPECT & REFUGE
 2 NOT TO SCALE
 HABITAT ENHANCEMENT SKETCH



1 BOARDWALK-TRAIL TRANSITION
 2 Scale: 1/2" = 1'-0"



1 STONE SEATING
 2 Scale: 1/2" = 1'-0"



This plan was prepared for the New York State Department of State with funds provided under Title 11 of the Environmental Protection Fund.



NORTH

NO.	DATE	REVISION	BY
1	1-20-08	comment from first public meeting	
2			
3			
4			
5			
6			

Buffalo

Rochester
 Syracuse
 EDR
 Environmental Design & Research,
 Environmental Services, Engineering and
 Construction
 374 North Goodman Street
 Rochester, NY 14607
 FAX (585) 271-0042

PROJECT TITLE: SCENIC WOODS
 PROJECT LOCATION: RANSOM ROAD, TOWN OF GRAND ISLAND, ERIE COUNTY, NEW YORK
 CLIENT: TOWN OF GRAND ISLAND
 DRAWING TITLE: DETAILS
 DATE: OCTOBER 31, 2007
 SCALE: AS NOTED
 EDR JOB #: 07038
 FILE NAME: DETAILS.DWG
 DRAFTER: JIM
 DRAWING NUMBER: D - 2